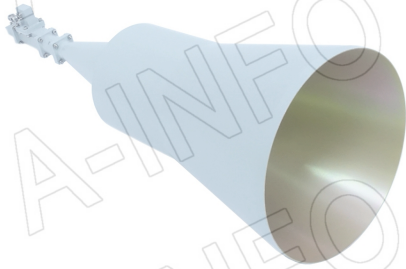


For reference only. See data sheet for the detailed specifications.

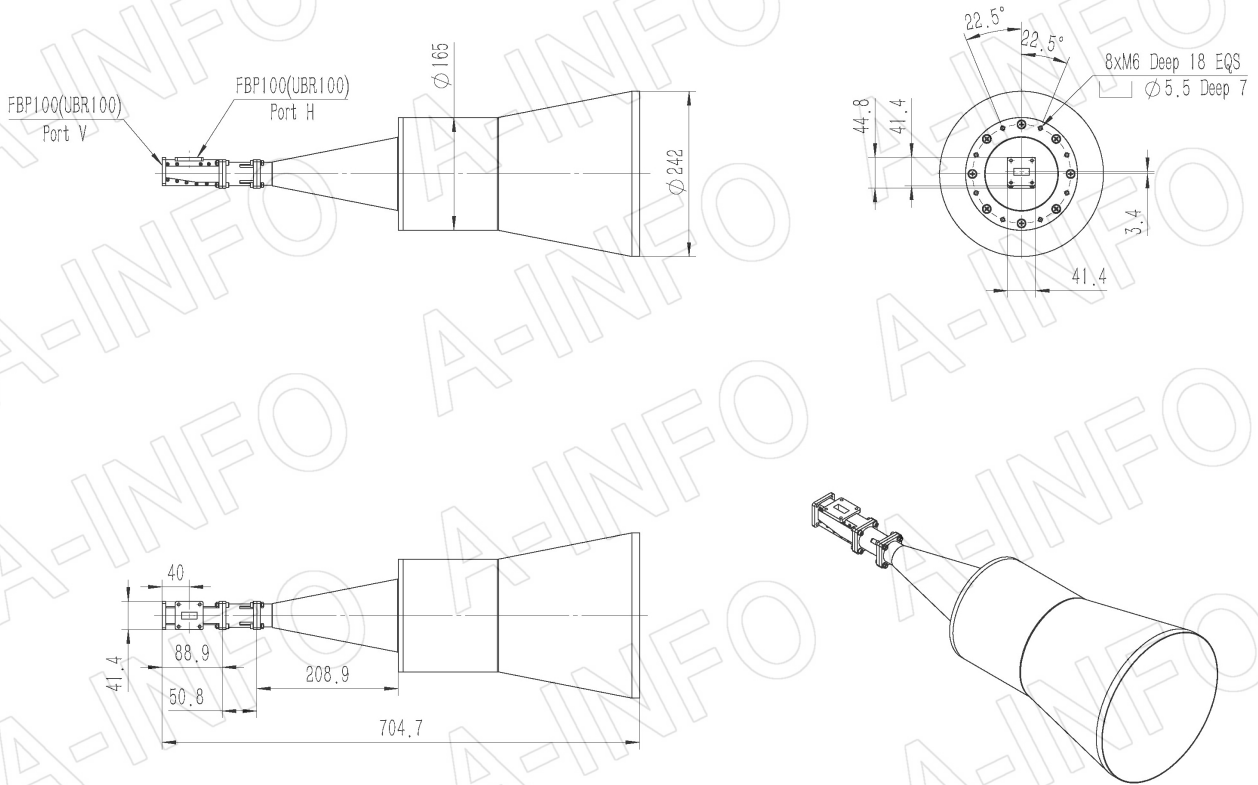
## Technical Specification



Frequency Range(GHz)	9.3 – 12.4
Waveguide	WR90
Gain(dBi)	25 Typ.
Polarization	Dual Linear
3dB Beamwidth(deg)	E Plane: 8 Typ.
	H Plane: 9 Typ.
Cross Pol. Isolation(dB)	45 Typ.
Port to Port Isolation(dB)	55 Typ. ; 45 Min.
VSWR	A Type: 1.8:1 Max.
	C Type: 2.0:1 Max.
Output	A Type: FBP100(UBR100)
	C Type: SMA-Female or N-Female or TNC-Female or 7mm or 3.5mm-Female
Material	Al
Finish	Silver Plated and Chemical Conversion Coating, Gray Paint
Size(mm)	A Type: 242 x 242 x 704.7
	C Type: 242 x 242 x 742.7
Net Weight(Kg)	A Type: 5.19 Around
	C Type: 5.31 Around

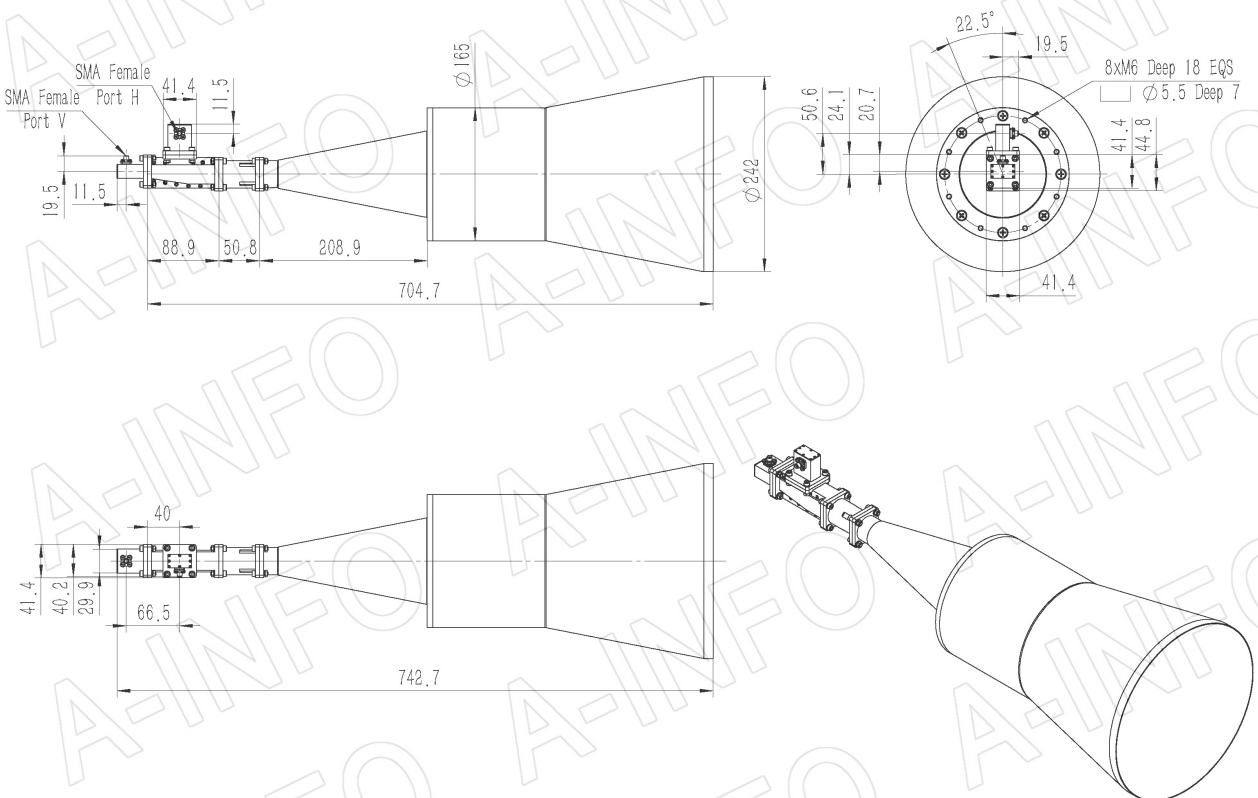
## Outline Drawing (Size: mm)

FBP100 Output (P/N: LB-CNH-90-25-T26-A)



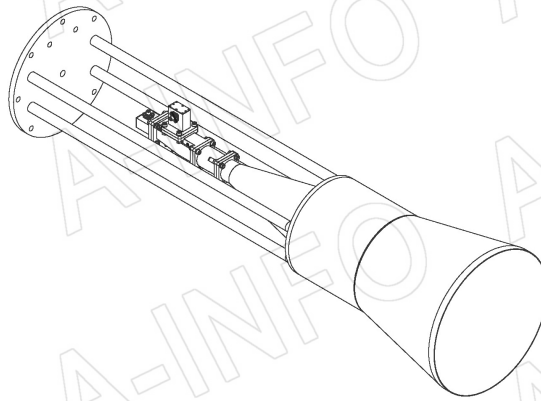
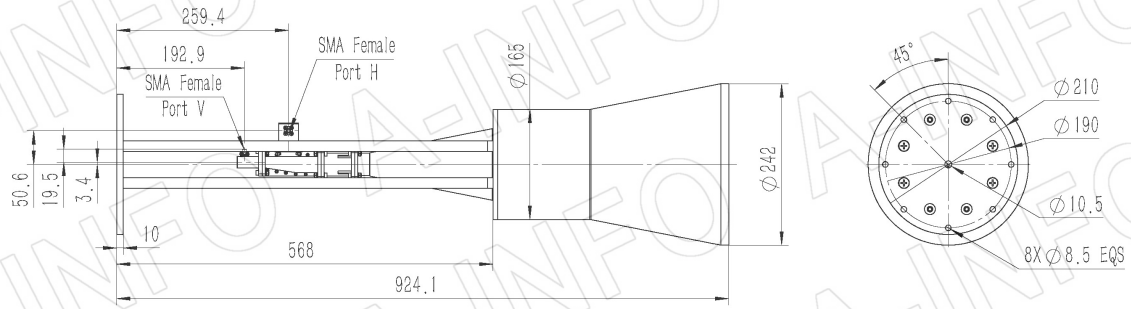
## SMA-Female Output (P/N: LB-CNH-90-25-T26-C-SF)

For N-Female, TNC- Female, 7mm or 3.5mm-Female output outline drawing, please contact A-INFO.



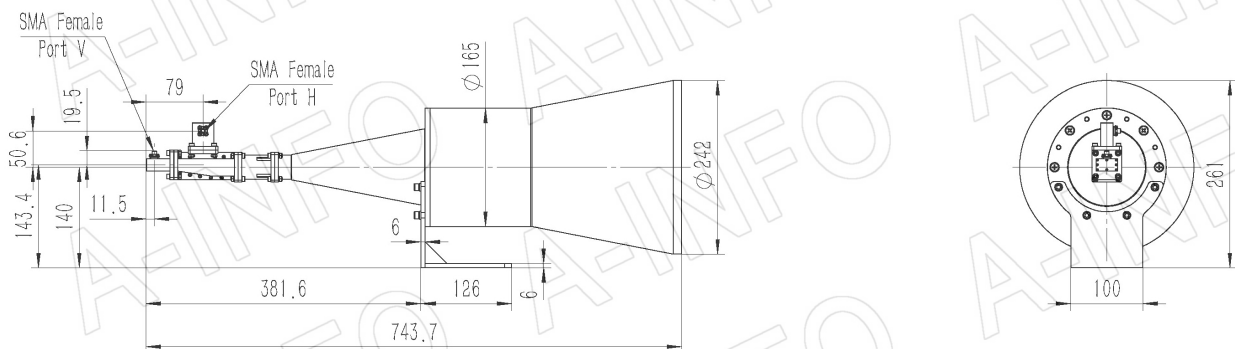
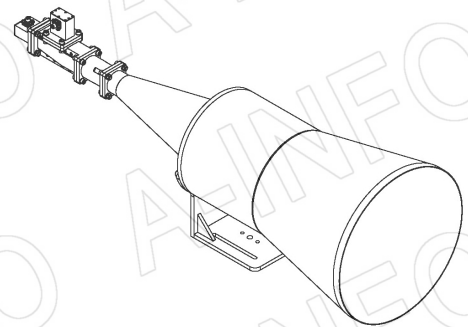
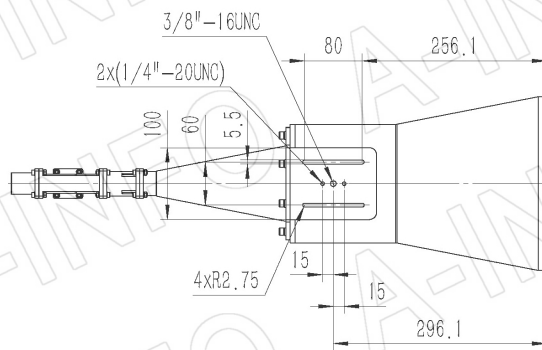
## SMA-Female Output with Round Mounting Bracket (Option, P/N: LB-CNH-90-25-MB)

For N-Female, TNC- Female, 7mm or 3.5mm-Female output outline drawing, please contact A-INFO.

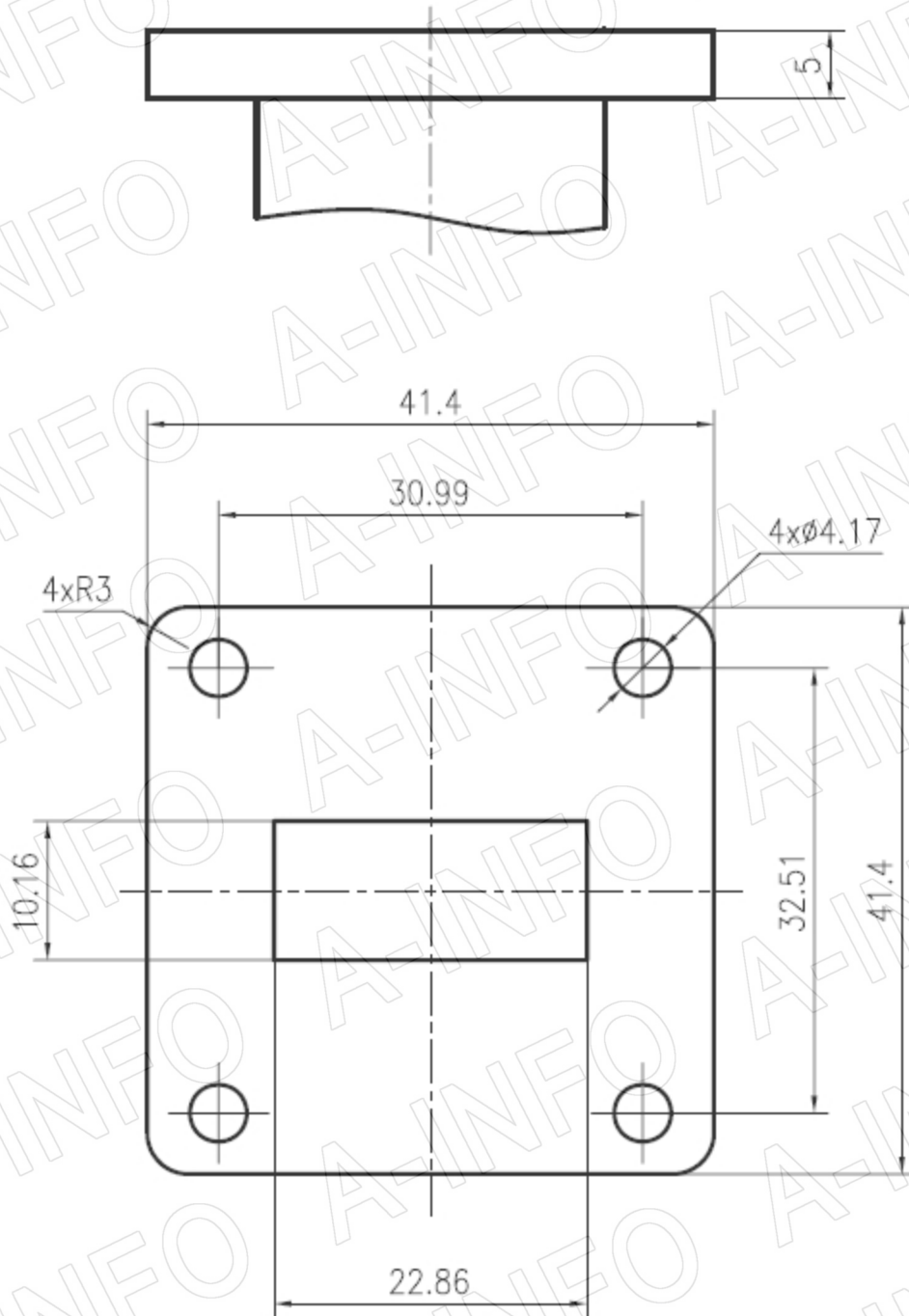


## SMA-Female Output with L Type Mounting Bracket (Option, P/N: LB-CNH-90-25-L)

For N-Female, TNC- Female, 7mm or 3.5mm-Female output outline drawing, please contact A-INFO.



## Flange Drawing (Size: mm)



**FBP100**

### AINFO Inc.

China(Beijing): Tel: (+86) 10-6266-7326,  
China(Chengdu): Tel: (+86) 28-8519-2786,  
USA : Tel: (+1) 949-639-9688,

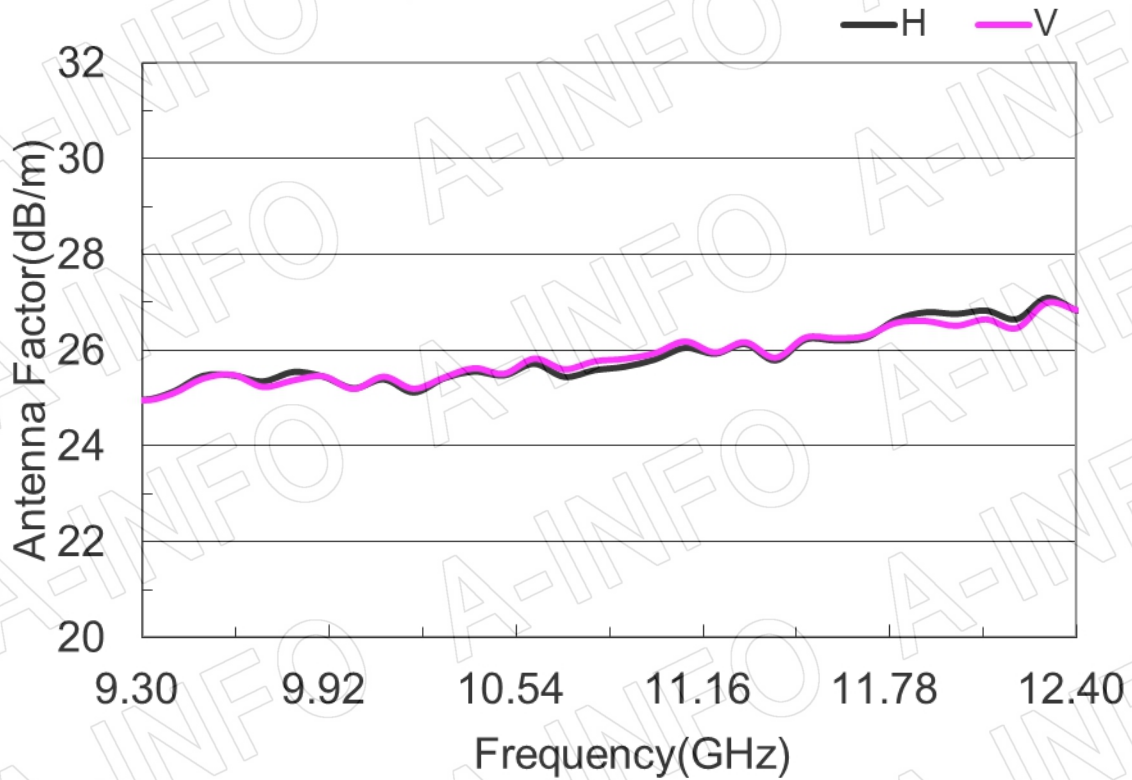
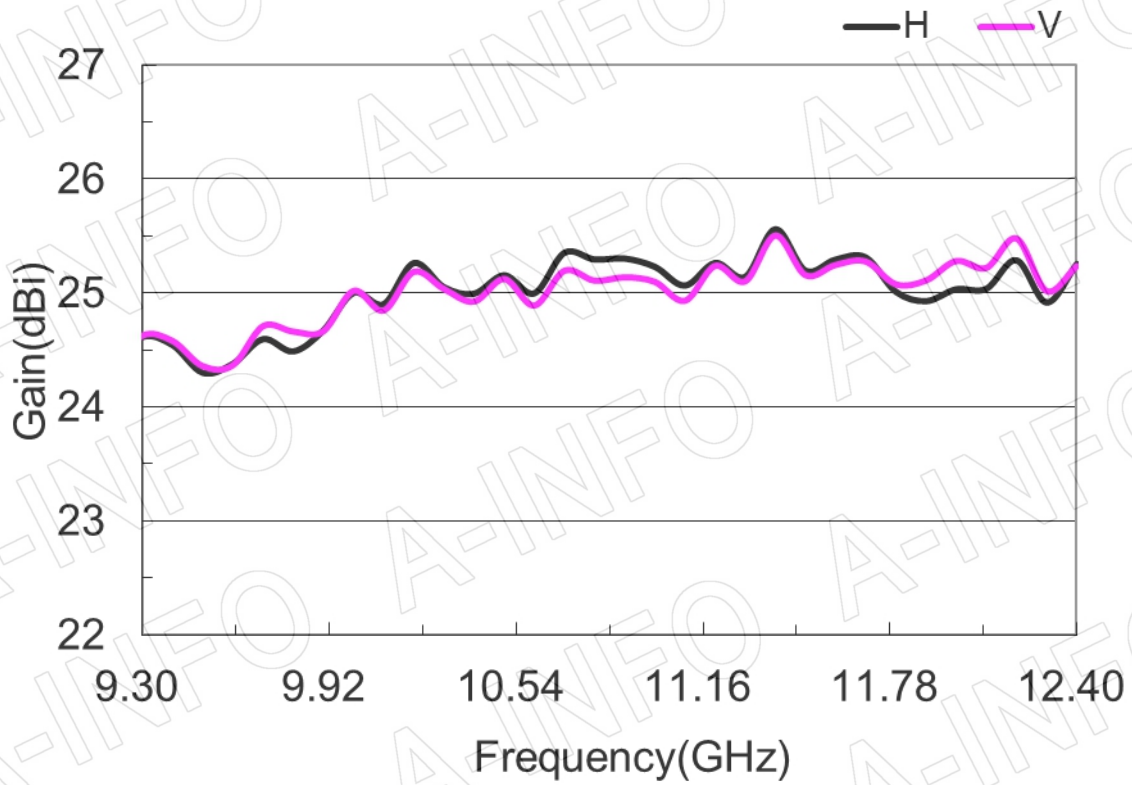
Page 4 of 14

(+86) 10-6266-7327 Fax: (+86) 10-6266-7379  
(+86) 28-8519-3044 Fax: (+86) 28-8519-3068  
(+1) 949-639-9608 Fax: (+1) 949-639-9670

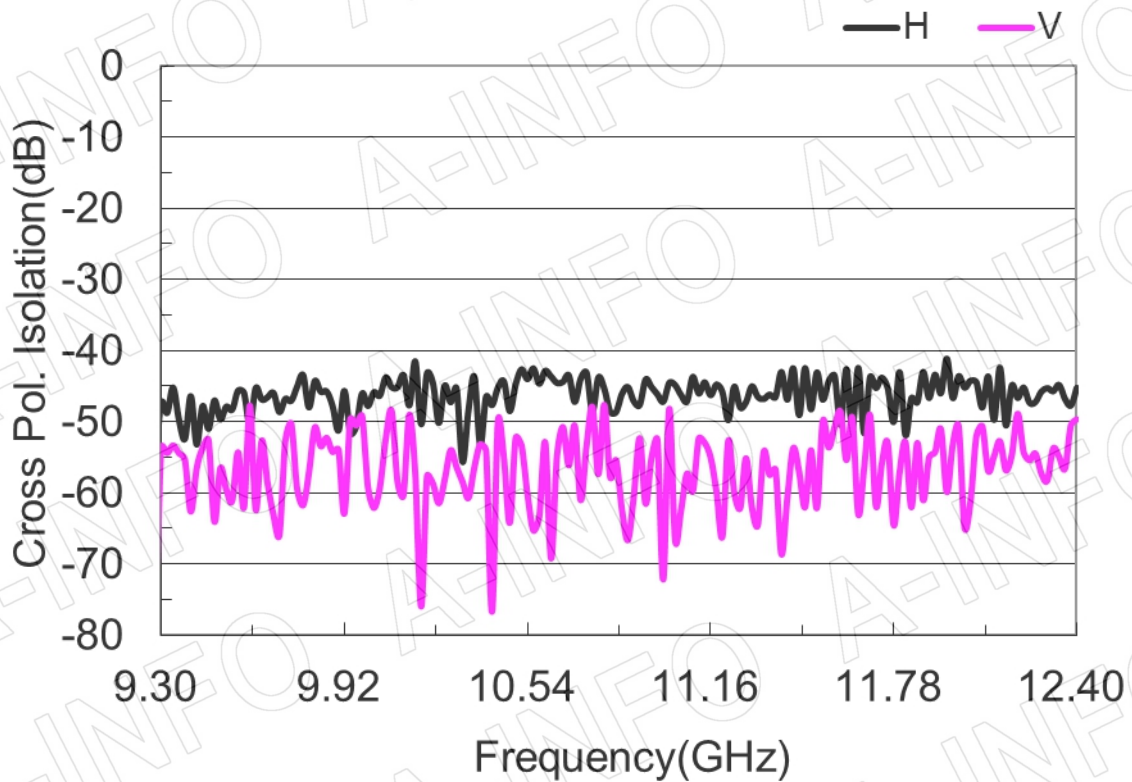
Website: [www.ainfoinc.com](http://www.ainfoinc.com)  
Email: [sales@ainfoinc.com](mailto:sales@ainfoinc.com)

## Test Results

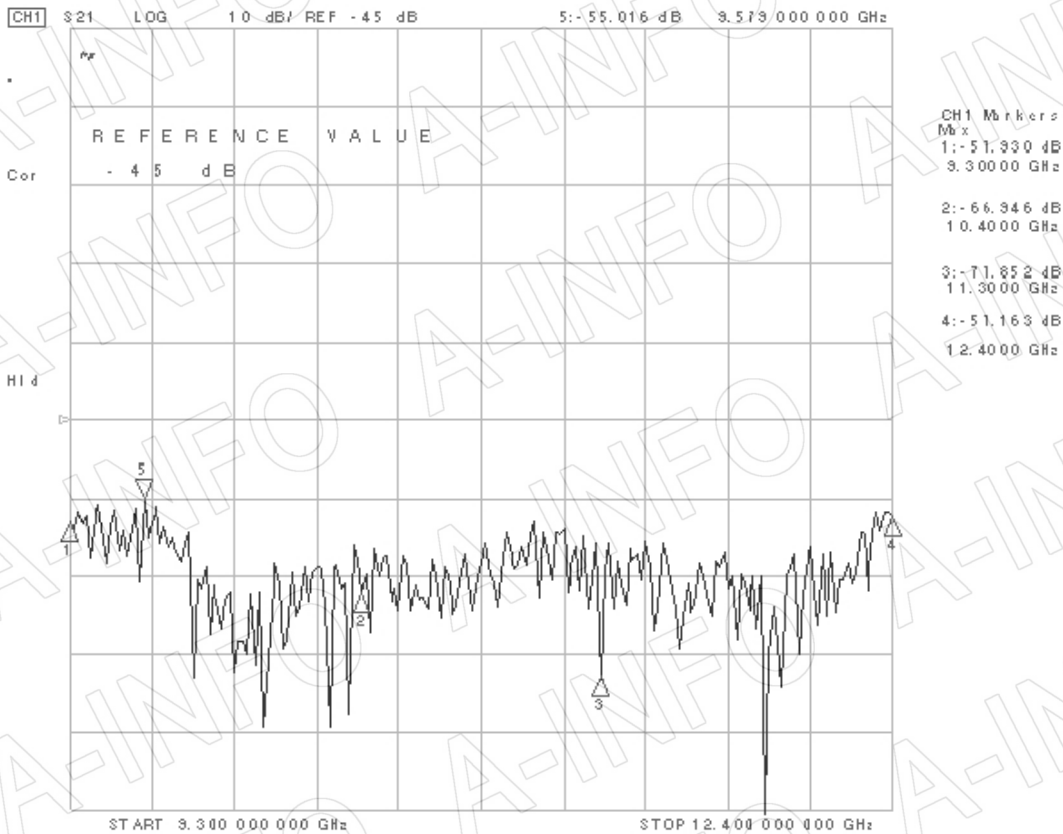
### 1. Gain & Antenna Factor



## 2. Cross Polarization Isolation

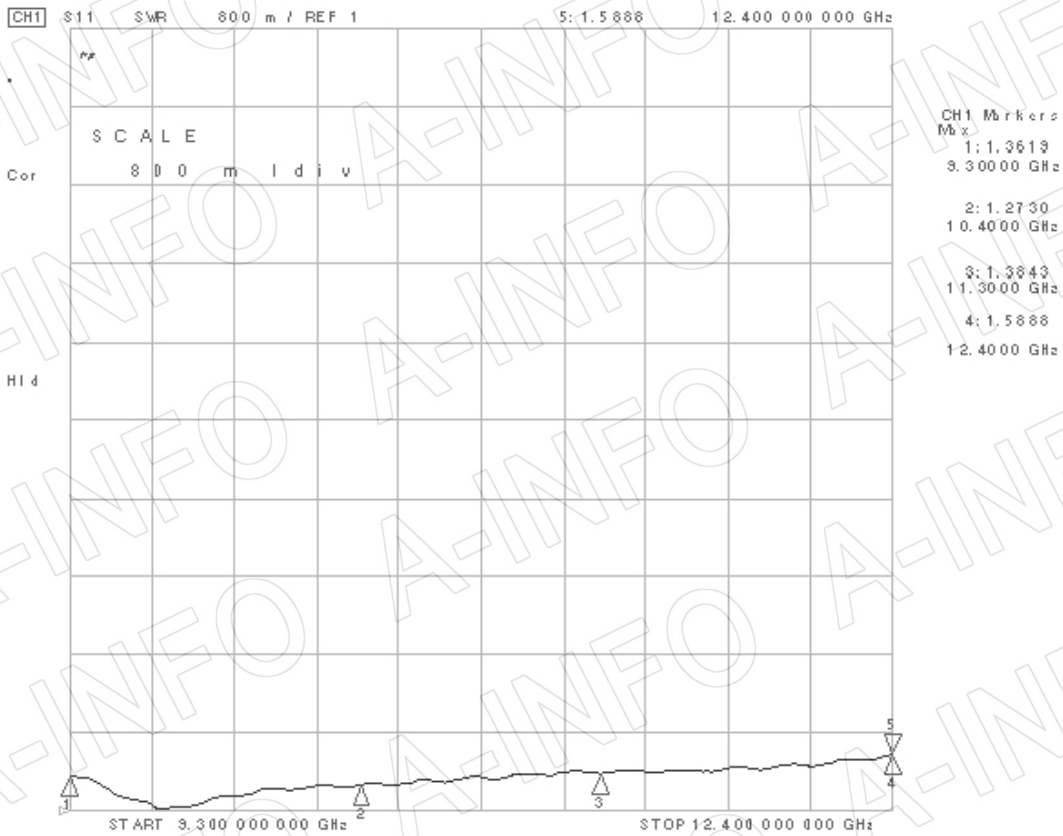


## 3. Port to Port Isolation

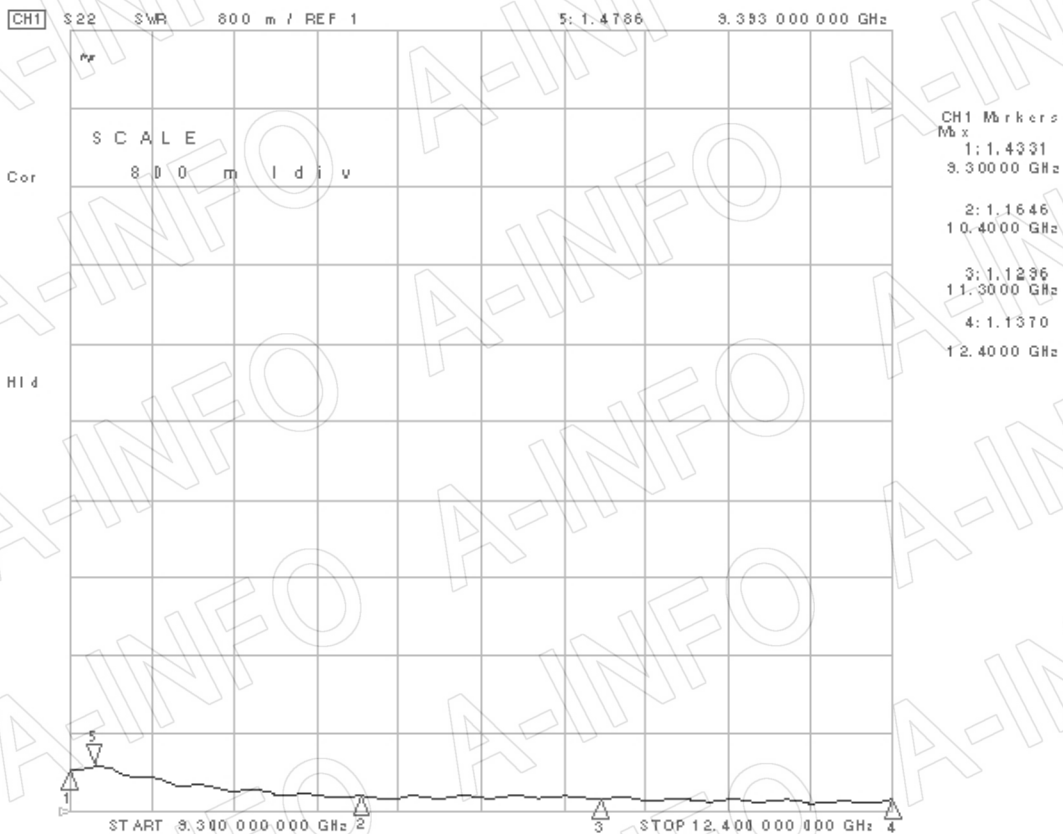


## 4. VSWR\_A Type

### Port-H

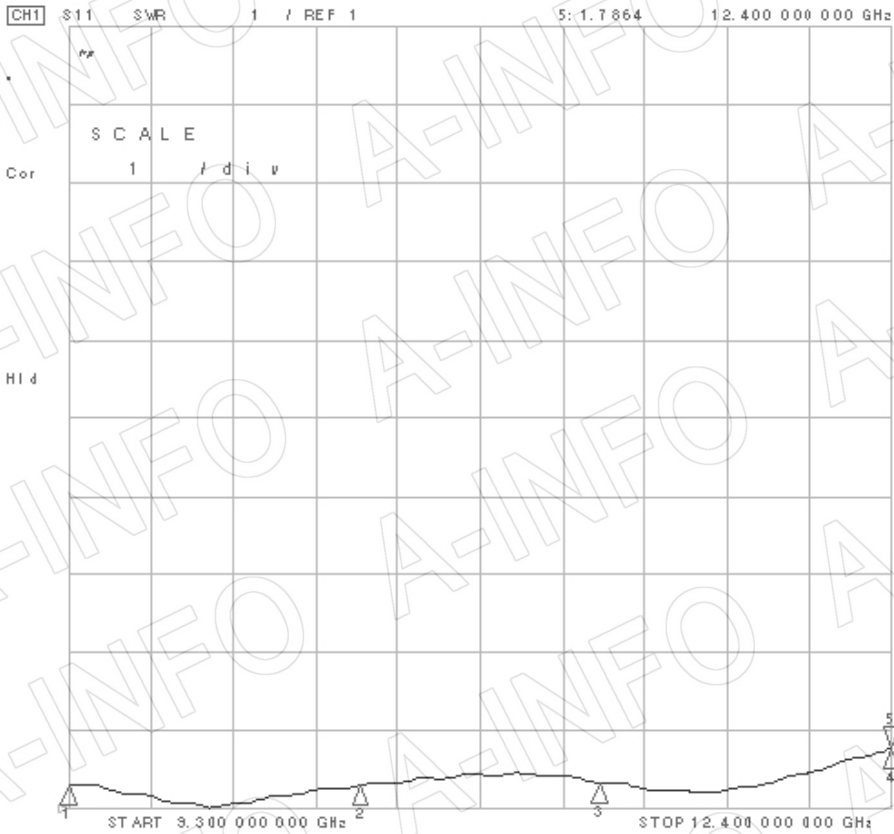


### Port-V

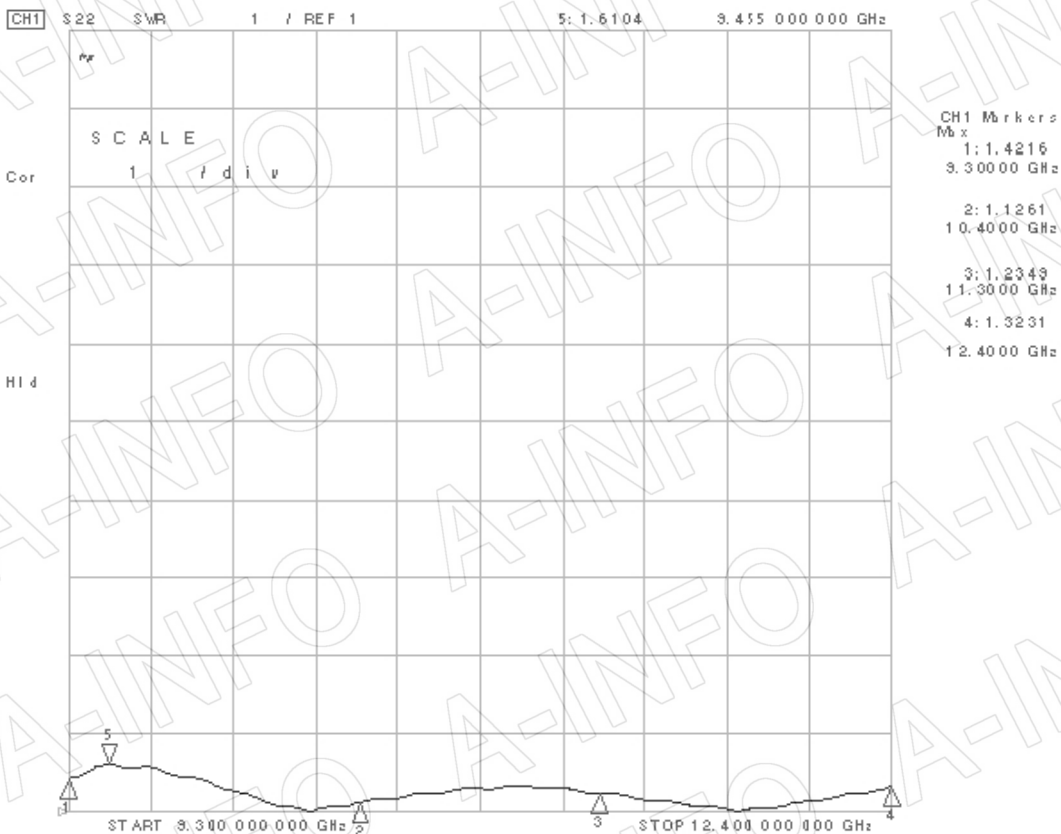


## VSWR\_C Type

### Port-H



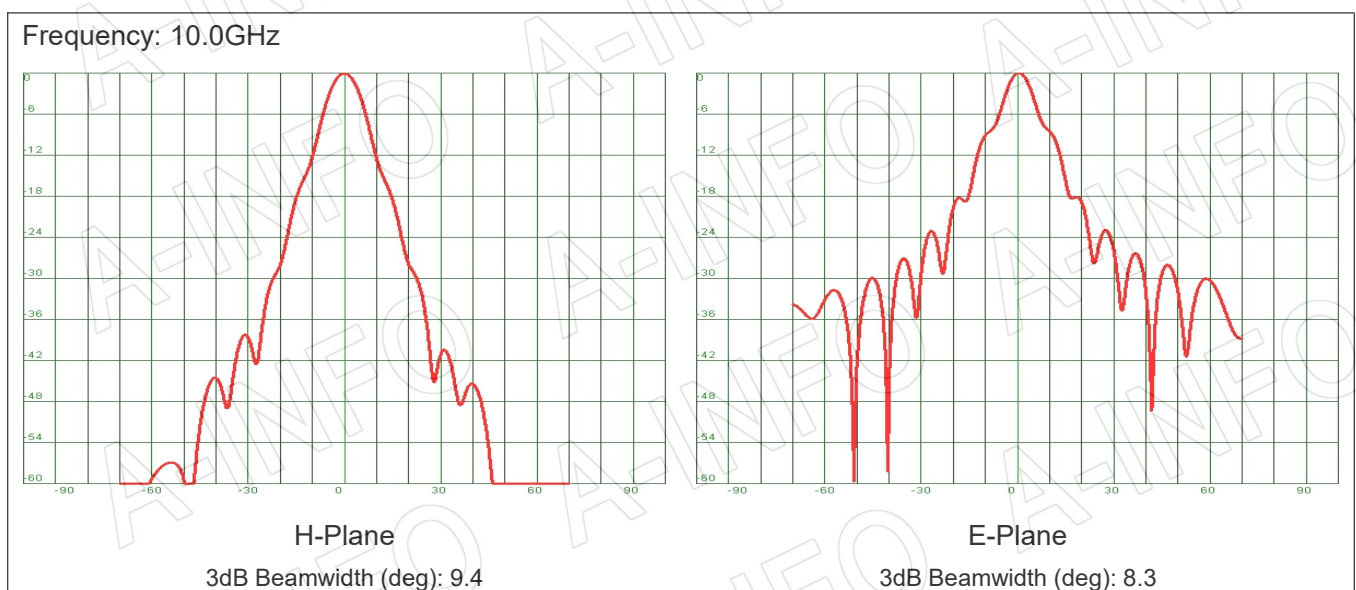
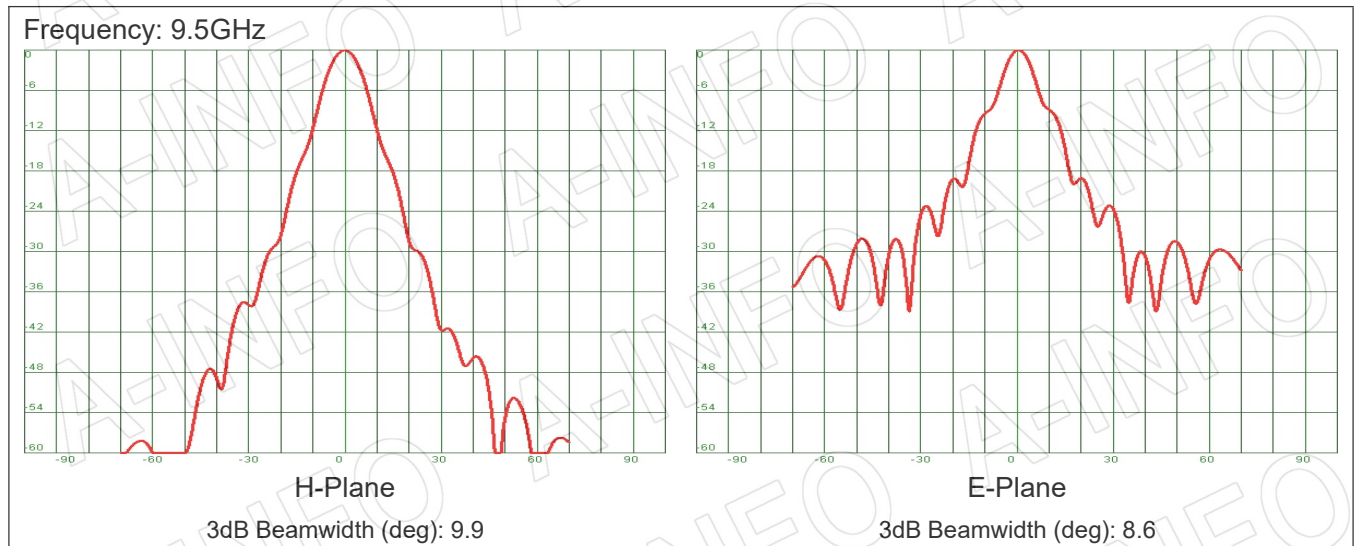
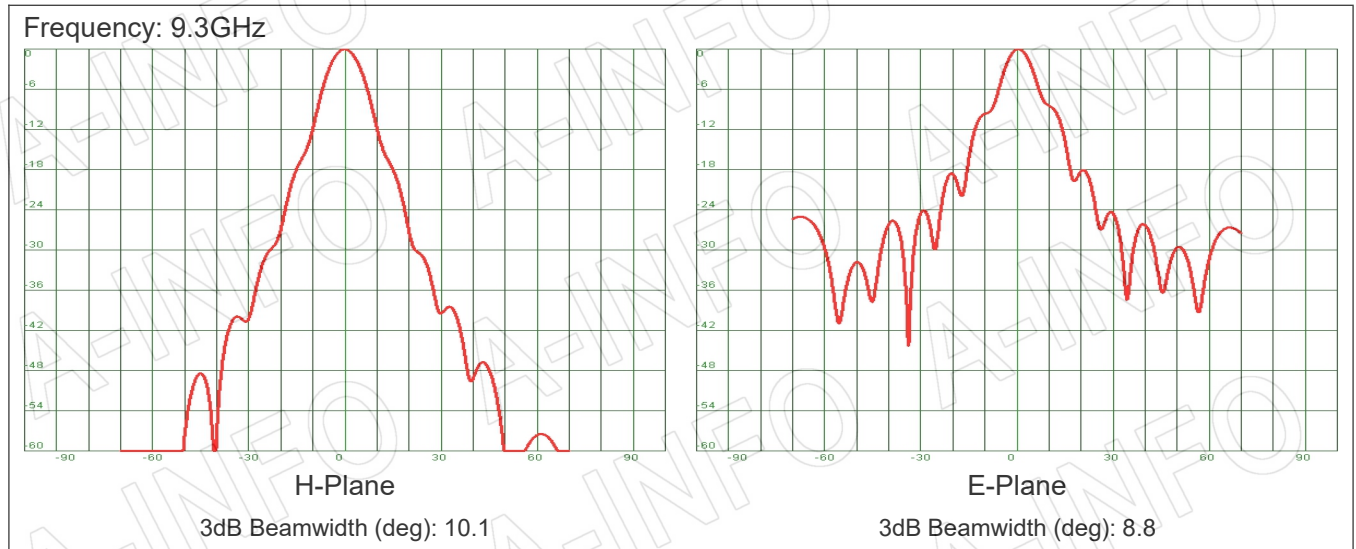
### Port-V





## 5. Pattern

### Port-H



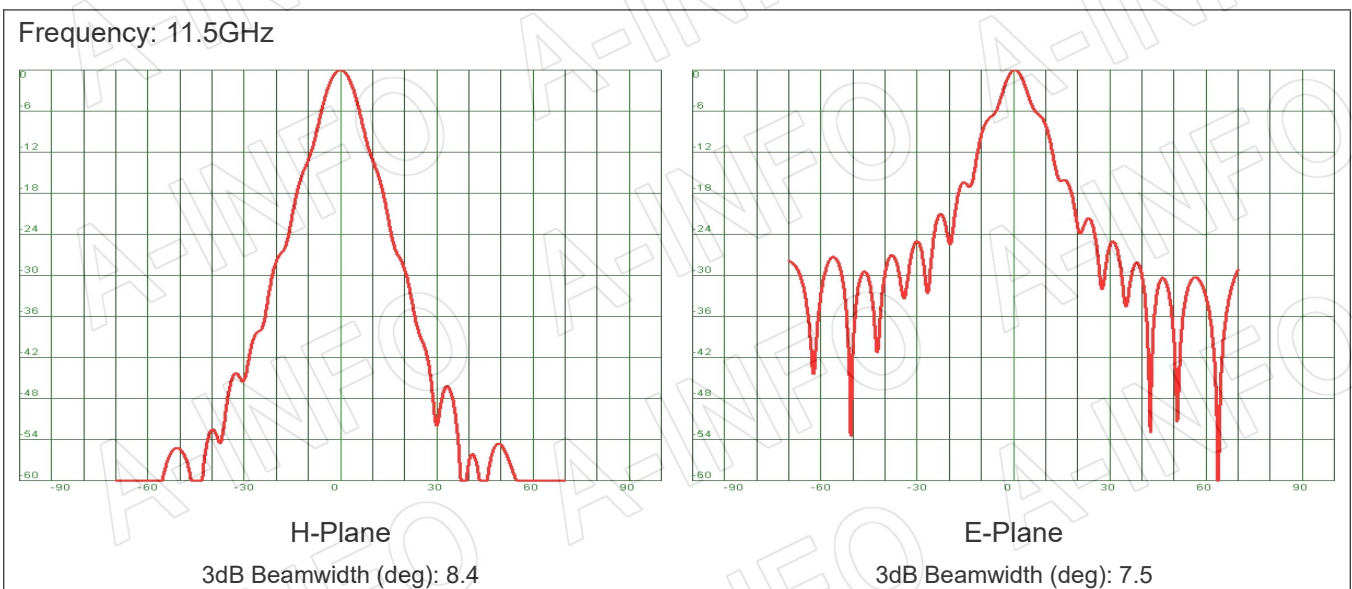
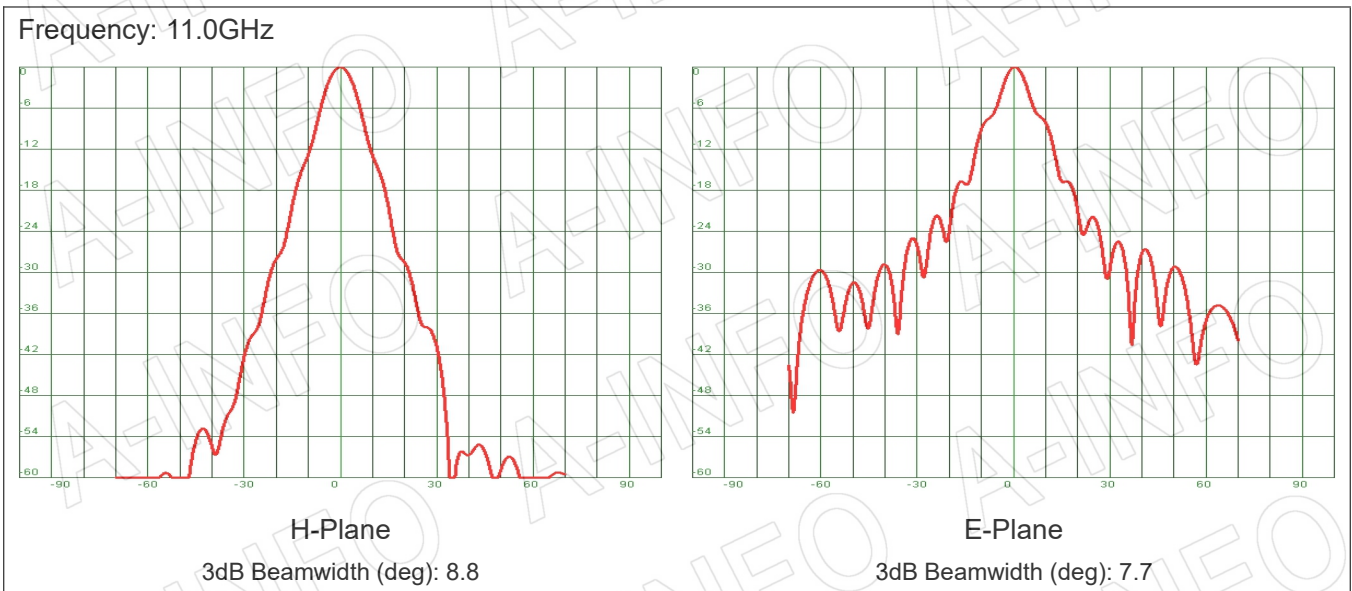
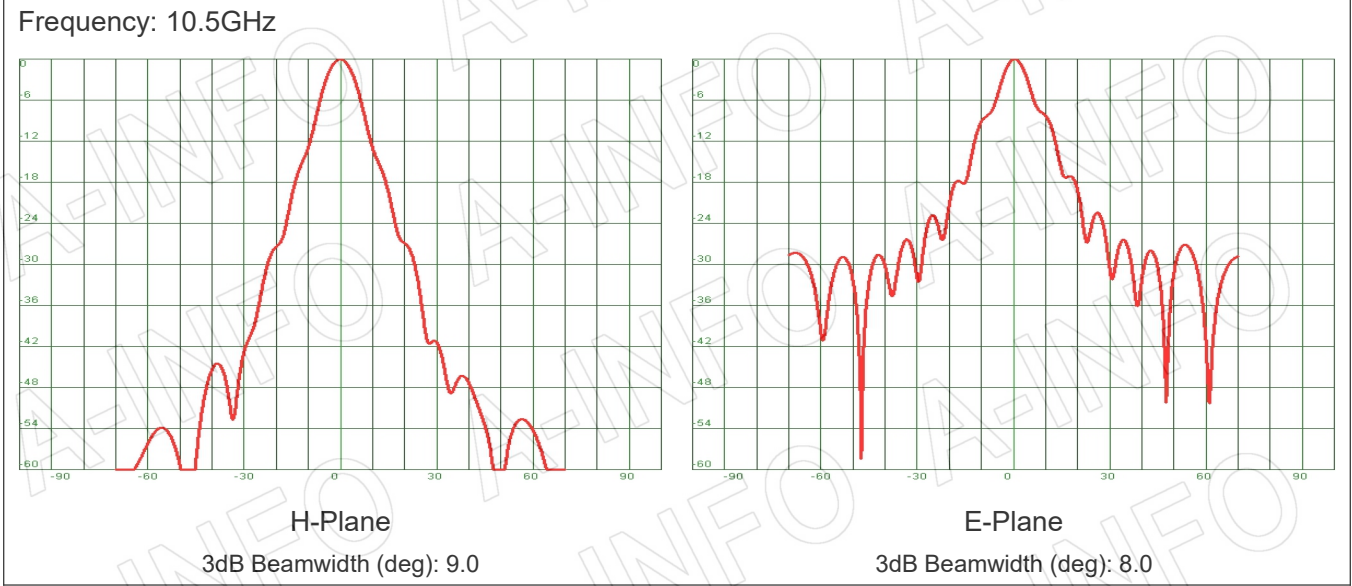
**AINFO Inc.**

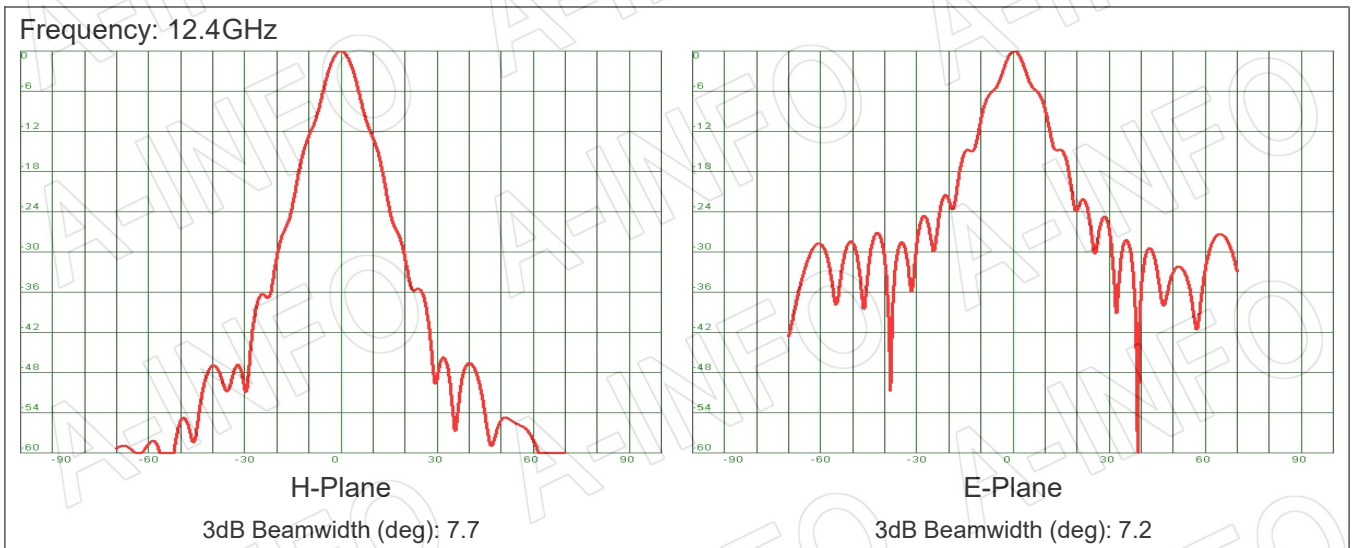
China(Beijing): Tel: (+86) 10-6266-7326,  
China(Chengdu): Tel: (+86) 28-8519-2786,  
USA : Tel: (+1) 949-639-9688,

Page 9 of 14

(+86) 10-6266-7327 Fax: (+86) 10-6266-7379  
(+86) 28-8519-3044 Fax: (+86) 28-8519-3068  
(+1) 949-639-9608 Fax: (+1) 949-639-9670

Website: [www.ainfoinc.com](http://www.ainfoinc.com)  
Email: [sales@ainfoinc.com](mailto:sales@ainfoinc.com)





**Port-V**

